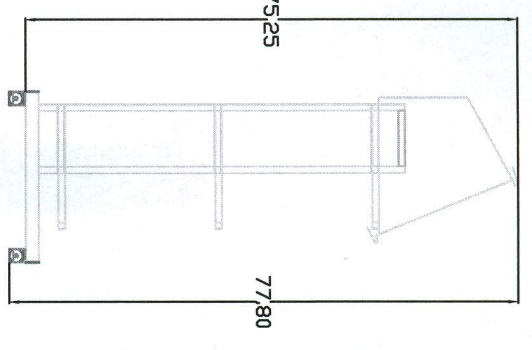
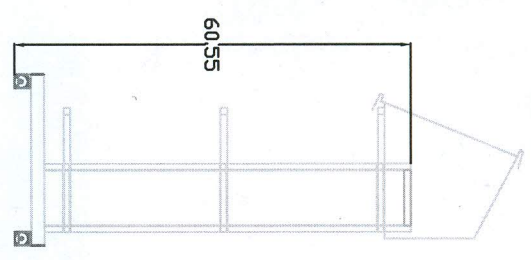


4 3 2 1

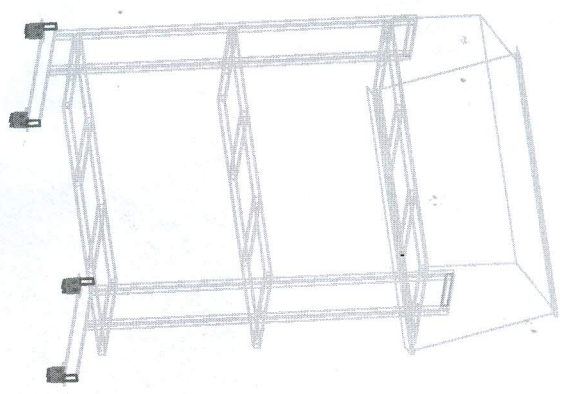
Left View



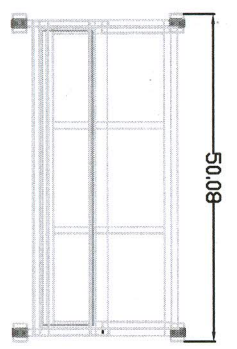
Right View



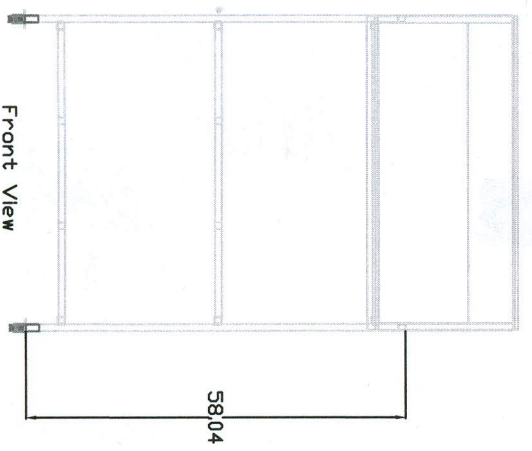
ISD View



Top View



Front View



REVISIONS			
ZONE	REV	DESCRIPTION	DATE

Tolerances X = +/- .060" X.X = +/- .045" X.XX = +/- .030"			
Neodesha Plastics Inc. 48" Reptile Cage Rack		SIZE / PFORM NO. 00005	DWG NO. 00005
Drawn By Clint Vance	Date 12-3-10	SCALE	SHEET 1 OF 1

D C B A

D C B A

4 3 2 1