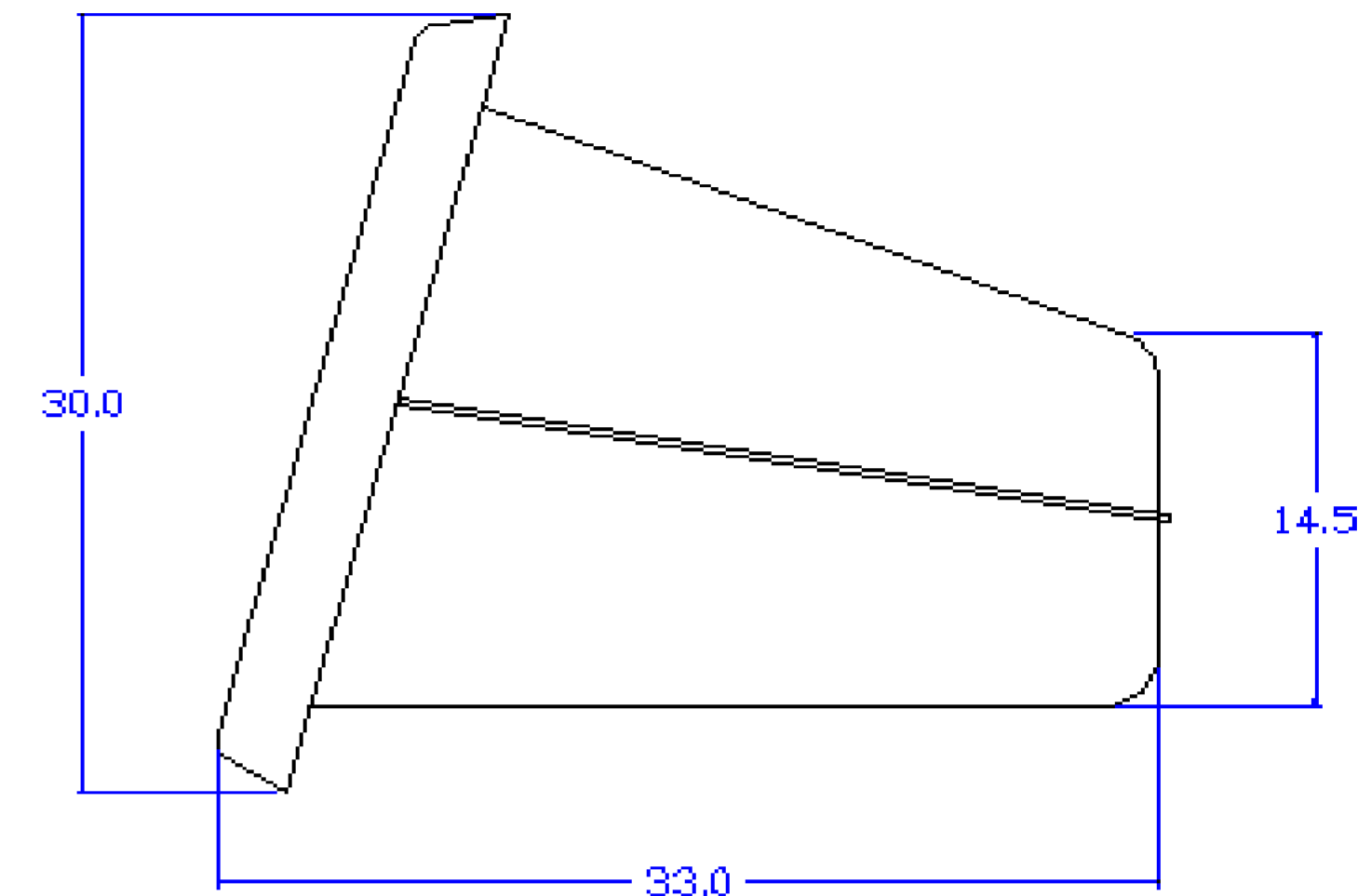
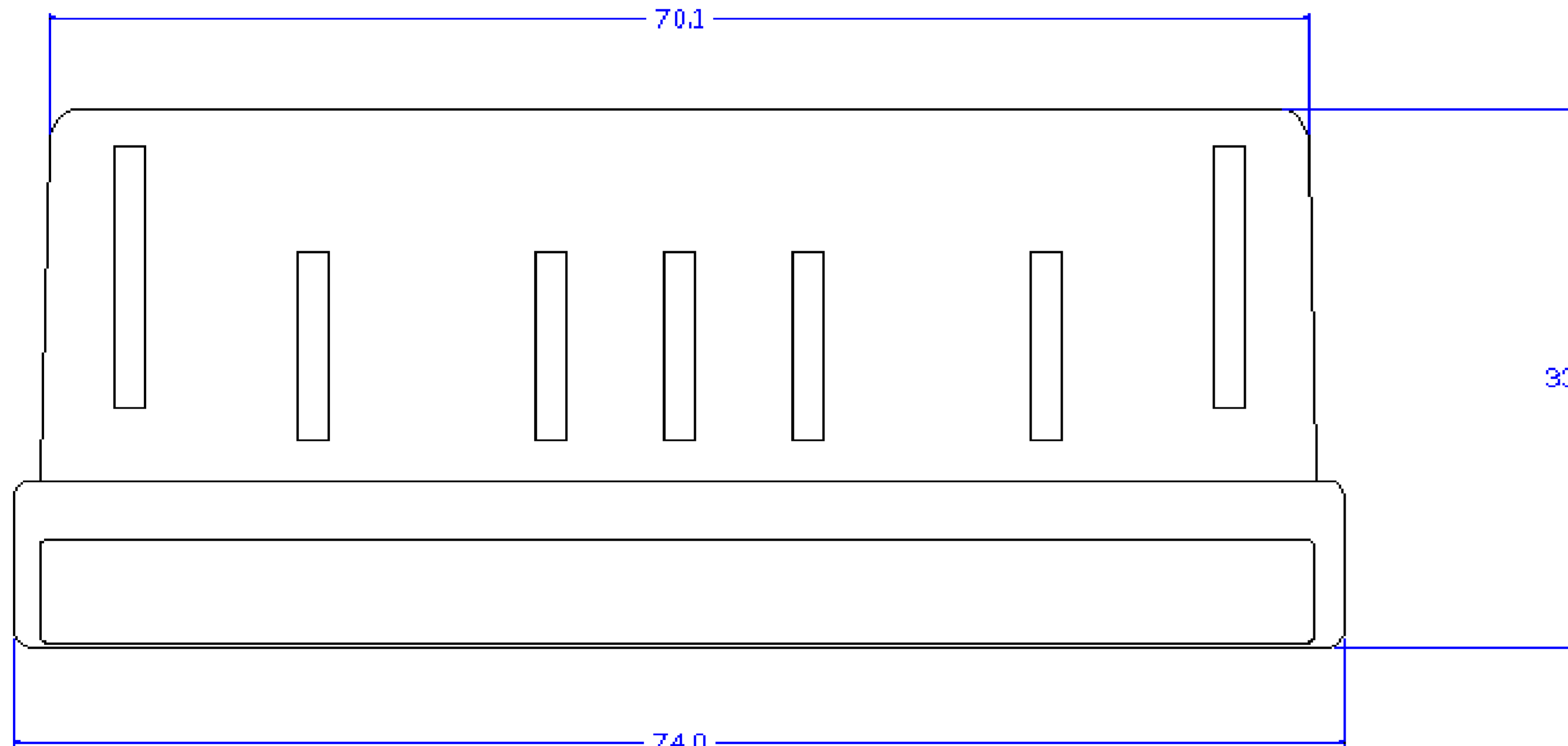


Front



Side



Top

|                              |          |  |   |
|------------------------------|----------|--|---|
| REL#:                        | BY:      | DATE:  |   |
| SCALE:                       | 1:1      | Neodesha Plastics Inc.<br><a href="http://www.npl-ks.com">www.npl-ks.com</a> | DRWN BY: JRG                                |
| DATE:                        | 03/11/13 | 1206 Worley Drive<br>Neodesha, KS 66757                                      | (620) 325-3096<br>Fax: 325-3510<br>CHKD BY: |
| TITLE:                       |          |  |   |
| 72" Reptile Cage (assembled) |          |  |   |
| MTRL:                        |          | PART NO.:  |   |
| (assembly)                   |          |  |   |

| CHG | ECN# | DESCRIPTION OF CHG | BY  | DATE     |
|-----|------|--------------------|-----|----------|
| 0   | 000  | XXX                | XXX | 00/00/00 |

